

MONOGRAM BEVERAGE CENTER

ZDBI240HII



DIGITAL TOUCH CONTROLS

Provide precise temperature settings for cooling all type of beverages, and an LED display allows easy viewing of temperatures

STORAGE CONVENIENCE

Three removable glass shelves, including a QuickSpace™ shelf, and two full-extension wine racks hold up to 10 wine bottles, as well as 12-ounce cans, quart-size bottles, and two-liter plastic containers

SOFT INTERIOR LED LIGHTING

Automatically illuminates when the door is open, but can be activated by an internal on/off switch

FLUSH INSTALLATION CAPABLE

REVERSIBLE DOOR SWING

Easily reversed to left or right door swing as needed

CUSTOM-PANEL READY

Lets you coordinate models with cabinetry for a look of elegant understatement. Customer must choose a custom door panel and handle to complement their decor

SABBATH MODE

Designed to disable functions in accordance with Sabbath-observing practices



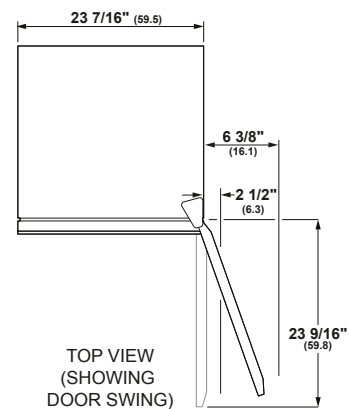
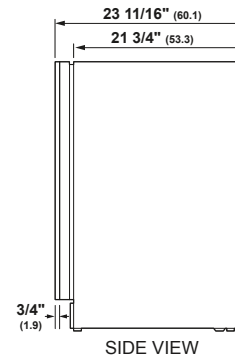
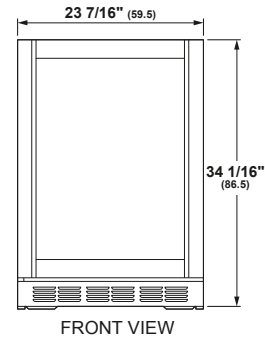
SPECIFICATIONS

Overall Width	23 7/16" (59.5 cm)
Overall Height	34 1/16" (86.5 cm)
Overall Depth	23 11/16" (60.1 cm)
Door Clearance	6 3/8" (16.1 cm) @ 110° 2 1/2" (6.3 cm) @ 90° 23 9/16" (59.8 cm) door length 3/4" panel
Overall Capacity	5.5 cu. ft.
Minimum Cabinet Width	23 7/8" (606 mm)
Minimum Cabinet Depth	24" (61.0 cm)
Cutout Width	23 7/8" (606 mm)
Cutout Height	34 1/2" (87.6 cm) Min 35" (88.9 cm) Max
Electrical Requirements	1.2 A
Voltz/Hertz/Amps	120 V, 60 Hz, 15 or 20 amp circuit
Shipping Weight	136 lb (61.5 kg)

ATTENTION ELECTRICIAN:

A 115 volt 60Hz, 15 or 20 amp power supply is required. An individual properly grounded branch circuit or circuit breaker is recommended. Install a properly grounded 3-prong electrical receptacle recessed into the back wall.

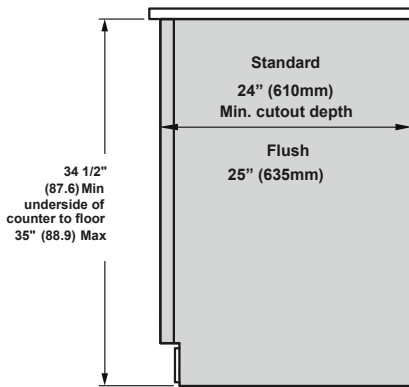
OVERALL DIMENSIONS



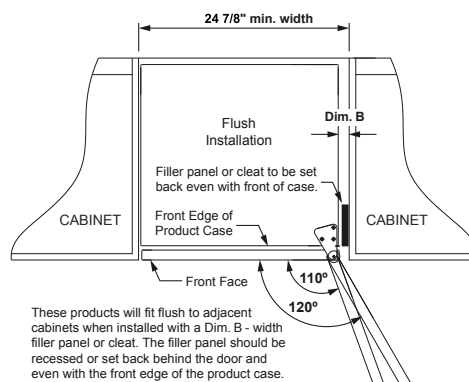
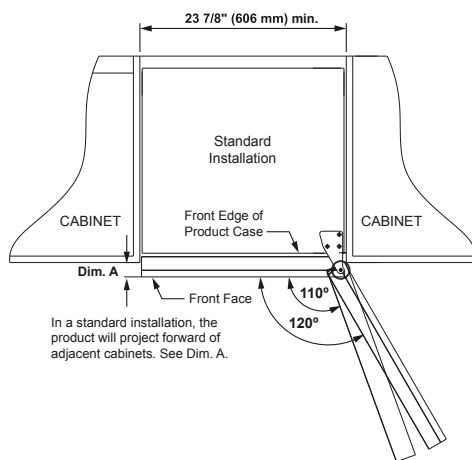
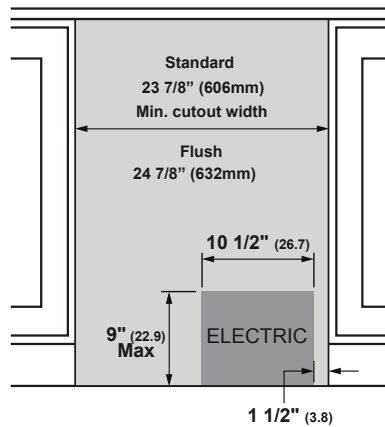
Dimensions in parentheses are in centimeters unless otherwise noted. Actual product dimensions may vary due to manufacturing tolerances.

INSTALLATION

INSTALLATION CUTOUT
SIDE VIEW



INSTALLATION CUTOUT
FRONT VIEW



PRODUCT	DIM. A
ZDBI240HII	2"

PRODUCT	DIM. B
ZDBI240HII	1 1/8"

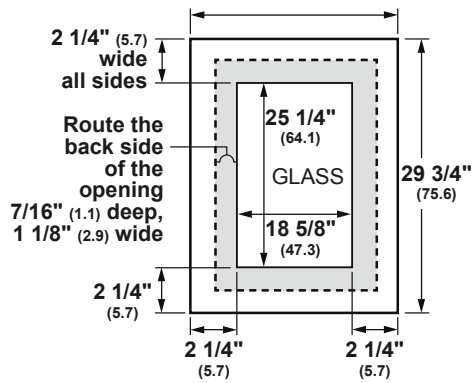
NOTES

Please see Installation Instructions for detailed instructions and information

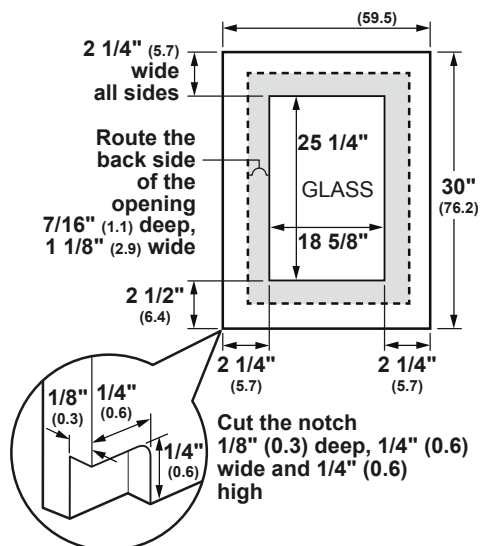
- Installation Space
The Monogram Beverage Center may be installed beneath a countertop or can be free standing.

INSTALLATION

CUSTOM PANEL
(OPTION 1)



CUSTOM PANEL
(OPTION 2)



NOTES

- There are two options: the panel may be 29-3/4" or 30" high. A 30" panel requires a notch cut into the bottom of the panel to avoid interference with the hinges.

Max. assembled door panel weight is 22 lbs.

NOTE: A solid panel that covers the door glass CANNOT be installed on these models.