

# MONOGRAM DOUBLE-DRAWER REFRIGERATOR

ZIDI240HII



## DIGITAL TOUCH CONTROLS

Offer a range of temperatures for precise chilling of a variety of fresh foods and beverages, and an LED display allows easy viewing of temperatures

## FULL-EXTENSION SLIDE-OUT REFRIGERATED DRAWERS

Storage for everything from whole melons to 146 12-oz. cans

## SPACIOUS INTERIOR WITH ADJUSTABLE DIVIDERS, FOLD-DOWN SHELF AND REMOVABLE DRAWER BIN

Maximizes useable storage space and flexibility

## SOFT INTERIOR LED LIGHTING

Automatically illuminates when the door is open, but can be activated by an internal on/off switch

## FLUSH INSTALLATION

Allows near-seamless integration with surrounding cabinetry

## CUSTOM-PANEL READY

Lets you coordinate models within cabinetry for a look of elegant understatement. Customer must choose a custom door panel and handle to complement their decor

## SABBATH MODE

Designed to disable functions in accordance with Sabbath-observing practices



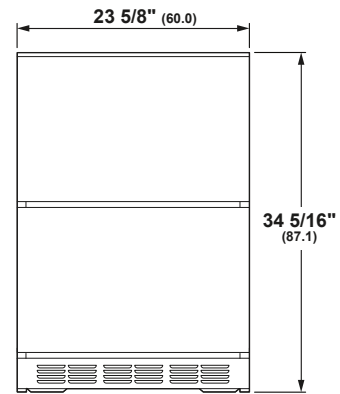
### SPECIFICATIONS

Overall Width	23 5/8" (60.0 cm)
Overall Height	34 5/16" (87.1 cm)
Overall Depth	24 1/2" (62.2 cm)
Overall Capacity	5.0 cu. ft.
Minimum Cabinet Width	24" (606 mm)
Minimum Cabinet Depth	24" (61.0 cm)
Cutout Width	23 7/8" (606 mm)
Cutout Height	34 1/2" (87.6 cm) Min 35" (88.9 cm) Max
Electrical Requirements	1.2 A
Voltz/Hertz/Amps	120 V, 60 Hz, 15 or 20 amp circuit
Shipping Weight	158 lb (71.5 kg)

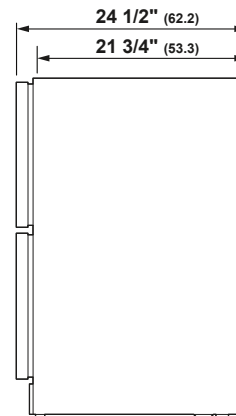
### ATTENTION ELECTRICIAN:

A 115 volt 60Hz, 15 or 20 amp power supply is required. An individual properly grounded branch circuit or circuit breaker is recommended. Install a properly grounded 3-prong electrical receptacle recessed into the back wall.

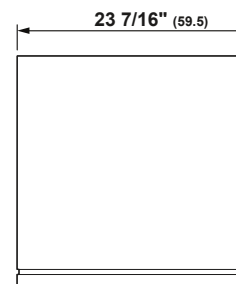
### OVERALL DIMENSIONS



FRONT VIEW



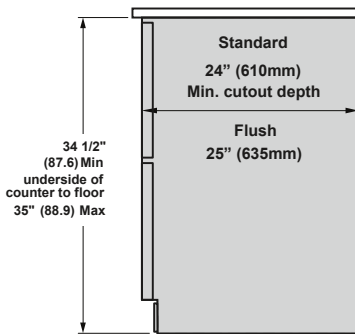
SIDE VIEW



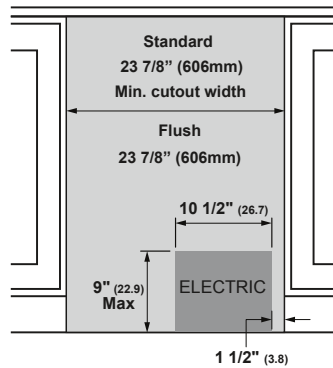
TOP VIEW

Dimensions in parentheses are in centimeters unless otherwise noted. Actual product dimensions may vary due to manufacturing tolerances.

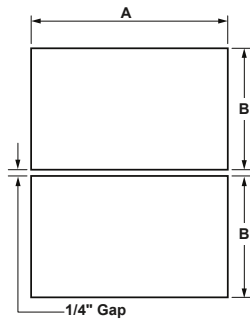
**INSTALLATION CUTOUT  
SIDE VIEW**



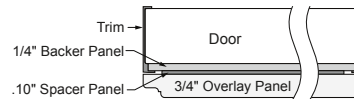
**INSTALLATION CUTOUT  
FRONT VIEW**



**CUSTOM PANELS**



CUSTOM PANELS



**3/4" OVERLAY PANEL DIMENSIONS  
(IN INCHES)**

	A (WIDTH)	B (HEIGHT)
1/4" Backer	23 3/16"	14 11/16"
.10" Spacer	22 1/2"	14 3/16"
3/4" Overlay	23 5/8"	15 1/16"

Note: Max assembled drawer panel weight is 25 lbs.

**IMPORTANT:** Maintain a 1/4" gap between the panels when installed.

**NOTES**

Please see Installation Instructions for detailed instructions and information

- Model can be installed Flush using Flush measurements provided below.
- Designed to be built-in only. Cannot be used free-standing.
- Black vented toekick with optional stainless steel toekick supplied.