



Installation Instructions

30", 36", 60", 66" and 72" Brass and Titanium Top Plates

Brass: ZKW30BV, ZKW36BV, ZKW60BV, ZKW66BV, ZKW72BV

Titanium: ZKW30TV, ZKW36TV, ZKW60TV, ZKW66TV, ZKW72TV

BEFORE YOU BEGIN

Read these instructions completely and carefully.

- **Note to Installer** – Be sure to leave these instructions with the Consumer.
- **Note to Consumer** – Keep these instructions with your Owner's Manual for future reference.

⚠ WARNING

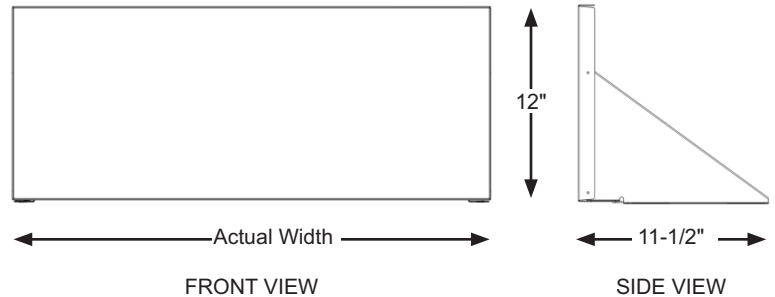


Tip Over Hazard.

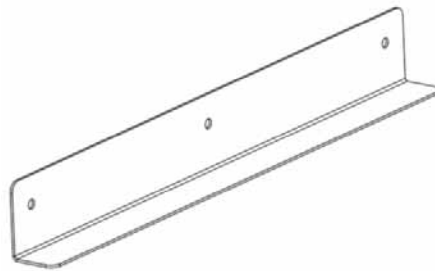
These appliances are top heavy, especially with any doors open, and must be secured to prevent tipping forward which could result in death or serious injury.

PRODUCT DIMENSIONS

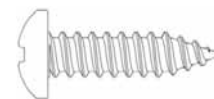
Designated Width	Actual Width
30	29-1/2"
36	35-1/2"
60	59-1/4"
66	65-1/4"
72	71-1/4"



ADDITIONAL PARTS PROVIDED



2x Upper Anti Tip Brackets



6x Screws

Installation Instructions

Prepare Column(s) for Installation as per Column Installation Instructions.

⚠ WARNING

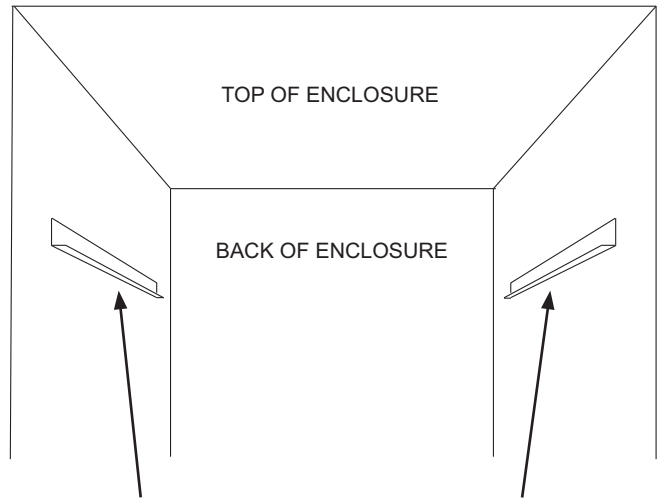


Tip Over Hazard.

These appliances are top heavy, especially with any doors open, and must be secured to prevent tipping forward which could result in death or serious injury. Read and follow the entire installation instructions for securing the appliance with the anti-tip system.

After installing the Column Anti-Tip Brackets as per the Column Installation Instructions, follow these instructions to install the Upper Anti-Tip Brackets.

This is not a replacement for proper column installation, be sure to follow all column installation instructions carefully.



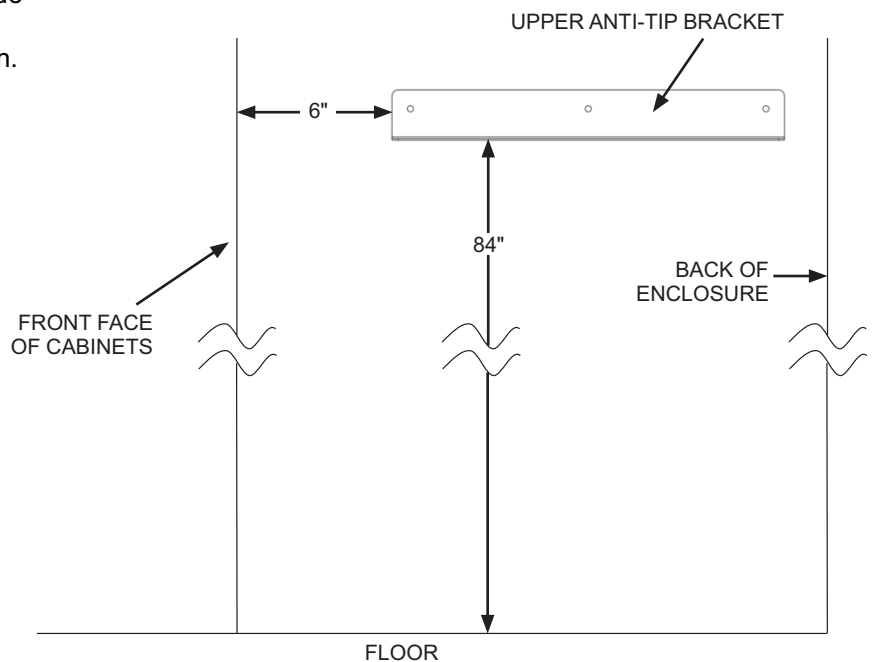
INSTALL BOTH UPPER ANTI-TIP BRACKETS

Install one Upper Anti-Tip Bracket to each side of the cabinet enclosure. Use three screws per bracket, drill 5/32" holes to aid installation.

See diagram at right for location.

Be sure to install all three screws in each Upper Anti-Tip Bracket and confirm they are tight before proceeding.

If installing into drywall, use correctly sized drywall anchors.

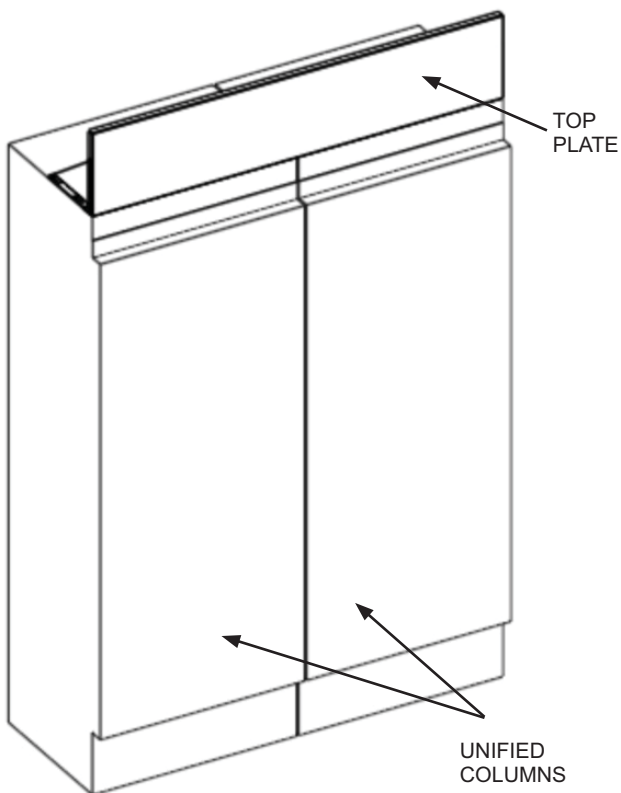


Installation Instructions

Prepare Column(s) for Installation as per Column Installation Instructions.

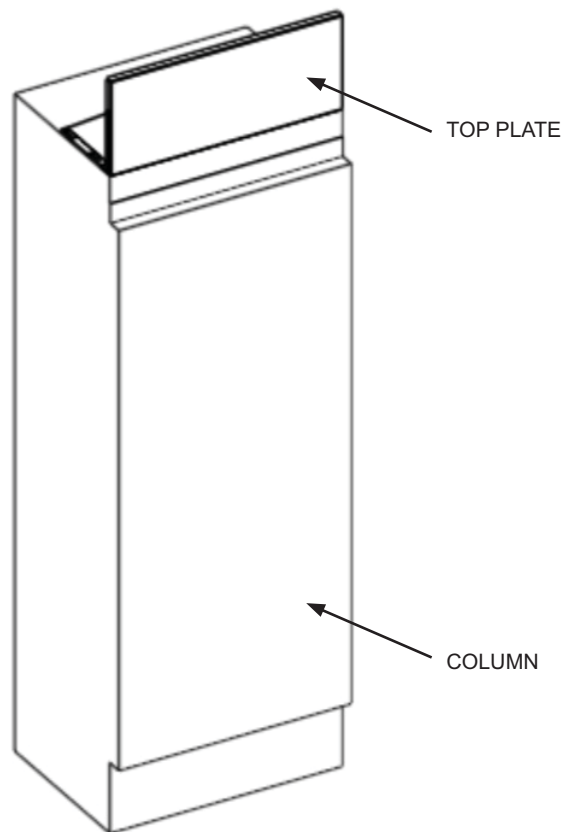
For Dual Integrated Installation:

- Continue Column installation up to the point of unification, right before pushing the Column into the opening.
- Go to Page 4 of these Installation Instructions to install the Top Plate.
- Return to the Column Installation Instructions to complete the installation.



For Single Integrated Installation:

- Continue Column installation up to the point of unification, right before pushing the Column into the opening.
- Go to Page 5 of these Installation Instructions to install the Top Plate.
- Return to the Column Installation Instructions to complete the installation.



Installation Instructions

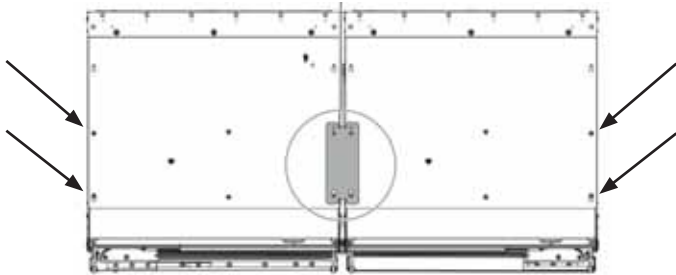
For Dual Integrated Installation

STEP 1

Confirm the columns have been properly unified with the installation of all unification brackets.

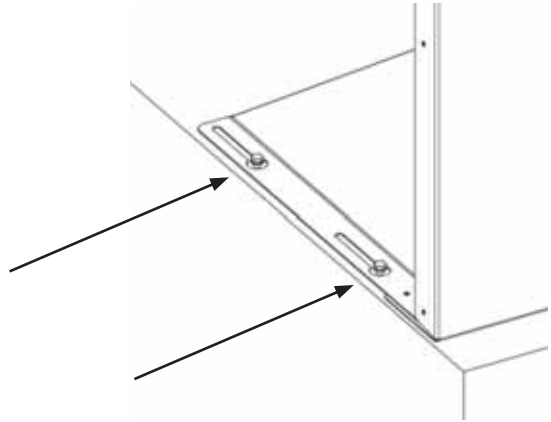
STEP 2

Loosen the 4 indicated screws on the top of the columns.

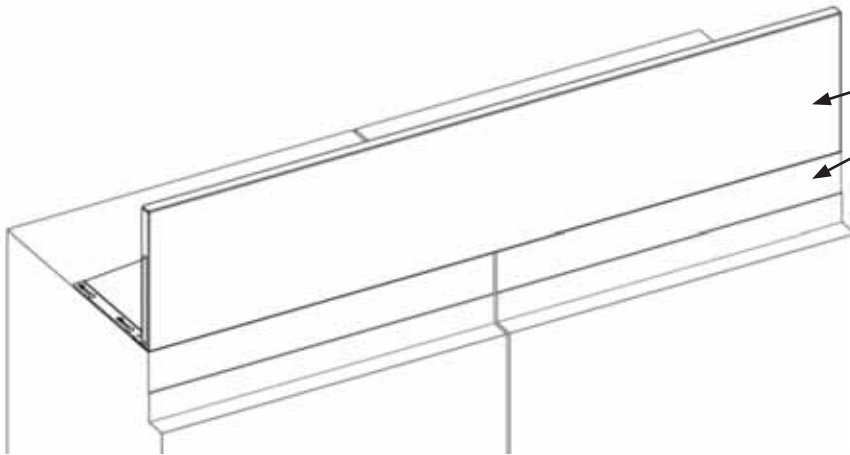


STEP 3

Place top plate keyhole slots over the screw heads on each side.



STEP 4



Slide top plate forward until it is in line with the filter cover door

Tighten all four screws

STEP 5

Confirm all screws are tight.

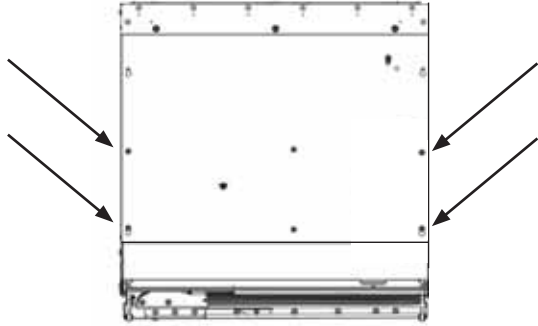
Return to the column installation instructions.

Installation Instructions

For Single Integrated Installation

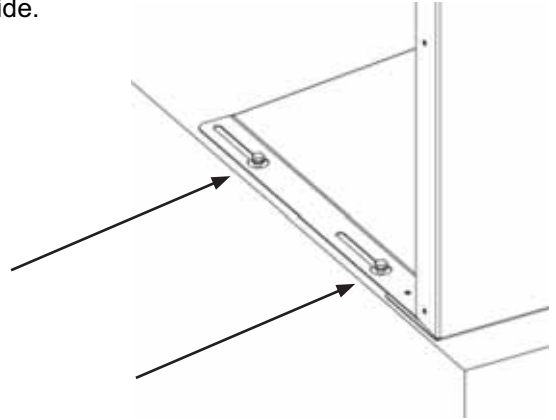
STEP 1

Loosen the 4 indicated screws on the top of the column

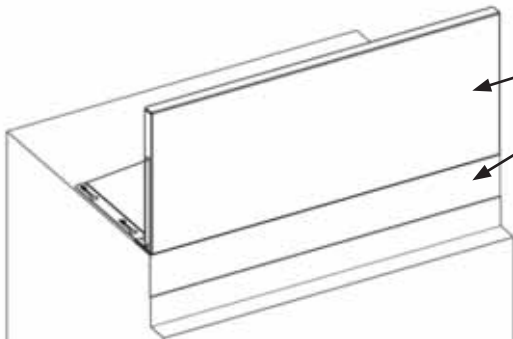


STEP 2

Place top plate keyhole slots over the screw heads on each side.



STEP 3



Slide top plate forward until it is in line with the filter cover door.

Tighten all four screws.

STEP 4

Confirm all screws are tight.
Return to the column installation instructions.