



INSTALLATION INSTRUCTIONS

Electric Warming Drawer
ZKW700S, ZKW700P, ZTW900S and ZTW900P

Para consultar una version en español
de este manual de instrucciones, visite nuestro
sitio de internet monogram.com.

Safety Information

BEFORE YOU BEGIN

Read these instructions completely and carefully.

- **IMPORTANT** — Save these instructions for local inspector's use.
- **IMPORTANT** — Observe all governing codes and ordinances.
- **Note to Installer** – Be sure to leave these instructions with Consumer.
- **Note to Consumer** – Keep these instructions for future reference.
- **Completion Time** — 1 to 3 Hours.
- Proper installation is the responsibility of the installer. Product failure due to improper installation is not covered under the warranty. See Owner's Manual for warranty information.
- Use this appliance only for its intended purpose.
- Check with local utilities for electrical codes that apply in your area. Local codes vary. Installation electrical connections and grounding must comply with applicable codes. In the absence of local codes, the drawer should be installed in accordance with National Electrical Code ANSI/NFPA 70-1990 or latest edition.

⚠ WARNING

- This appliance must be properly grounded. See "Grounding the Appliance."
- Insure that the power cord does not contact the hot surface on the bottom of ovens, cooktops, or other appliances.
- If you received a damaged warming drawer, you should contact your dealer
- For Monogram local service in your area, 1.800.444.1845.
- For Monogram Service in Canada, call 1.800.561.3344.
- For Monogram Parts and Accessories, call 1.800.626.2002.

MODELS AVAILABLE

30" Models: ZTW900S, ZTW900P

27" Models: ZKW700S, ZKW700P

⚠ WARNING

An anti-tip brace must be installed to prevent the drawer from tipping forward when opened and loaded. Failure to do so could result in personal injury.

CONTENTS

Design Information	
Models Available	2
Accessories	2
Product Dimensions	3
Grounding the Appliance	3
Installation Preparation	
Tools and Materials Required	4
Remove Packaging	4
Installation Options	
Installation Below a Single Oven	5
Installation Below a Double Oven.....	5
Installation Below a Countertop	6
Provide Cabinet Support.....	7
Flushmount Installation Preparation	7
Install Anti-Tip Brackets.....	8
Install Warming Drawer.....	8
Installation Instructions : Warming Drawer Custom Panel Accessory Kit ZXW900.....	9
Before You Begin.....	9
Step 1, Prepare Drawer For Panel Installation..	9
Step 2, Remove Original Drawer Front.....	9
Step 3, Prepare Custom Panel	9
Step 4, Secure Custom Panel to Metal Mounting Panel.....	10
Step 5A, For Panels Less Than 3/4" Thick	10
Step 5B, For 3/4" (Or Greater) Thick Panels	
Step 6, Install Lamp Jewel	10
Step 7, Reinstall Original Handle or Optional Custom Handle.....	10
Step 8, Install Assembled Panel to the Drawer.....	10

FRONT PANEL ACCESSORIES

ZXW900

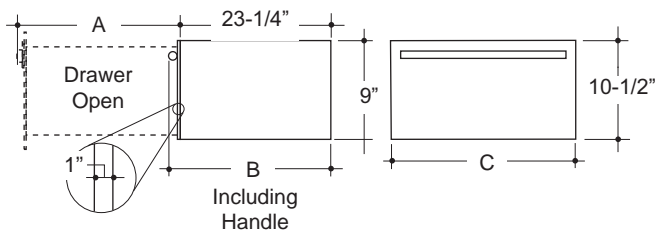
This kit provides for the installation of a custom front panel on 30" models.

NOTE: The original drawer front will be removed and discarded when this kit is used. The tubular handle can be reinstalled onto the custom panel with longer screws (not provided). Or, the original handle can be replaced with a custom handle of your choice. (Handle is not supplied.) Choose a custom handle to match or complement cabinetry hardware.

For more Accessories or purchasing information please refer to Assistance/Accessories section of Monogram Warming Drawer Owner's Manual.

Design Information

PRODUCT DIMENSIONS AND CLEARANCES



Models	Dimensions		
	A	B	C
ZTW900S and ZTW900P	23-1/4"	26-1/4"	29-3/4"
ZKW700S and ZKW700P	22-26"	26-1/4"	26-3/4"
ZXS900P and ZXW900	Dimensions to be determined by panel and handle		29-3/4"

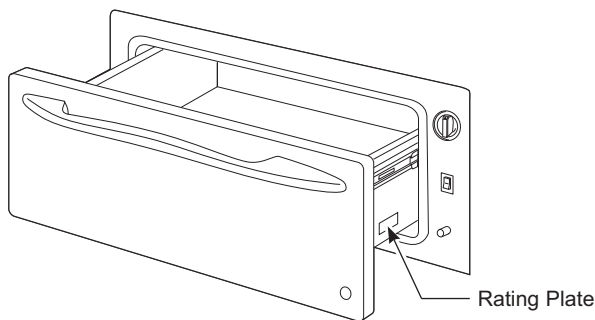
GROUNDING THE APPLIANCE

Please read carefully.

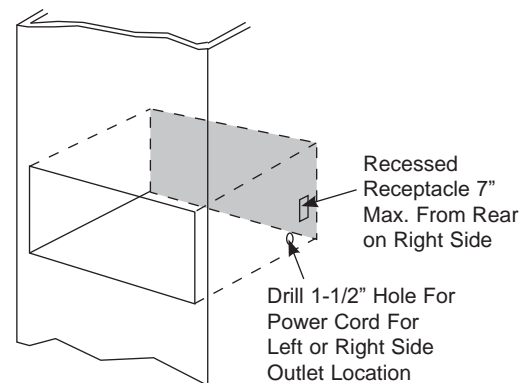
Do not use an extension cord or adapter plug with this appliance. Follow National electrical codes or prevailing local codes and ordinances.

This warming drawer must be supplied with 120V, 60Hz, and connected to an individual, properly grounded branch circuit, and protected by a 15 or 20 amp circuit breaker or time delay fuse.

- A properly grounded 3-prong receptacle should be located within reach of the drawers' 56" long power cord.



- Locate the receptacle in an adjacent cabinet.
 - within 42" of the right side or,
 - within 16" of the left side or,
- A recessed receptacle may be located on the right side of the cutout, 7" from the back of the cabinet. In this location, the excess power cord should be coiled and taped to the right side of the unit.
- When two warming drawers are installed side to side, they can operate from the same receptacle.



Please read carefully.

The power cord of this appliance is equipped with a 3-prong (grounding) plug that mates with a standard 3-prong grounding wall receptacle to minimize the possibility of electric shock. The customer should have the wall receptacle and circuit checked by a qualified electrician to make sure the receptacle is properly grounded and has the correct polarity.

- Where a standard 2-prong wall receptacle is encountered, it is the personal responsibility and obligation of the customer to have it replaced with a properly grounded 3-prong wall receptacle.

Do not, under any circumstances, cut or remove the third (ground) prong from the power cord.

DO NOT USE AN EXTENSION CORD WITH THIS APPLIANCE.

FOLLOW NATIONAL ELECTRICAL CODES AND ORDINANCES.

Installation Preparation

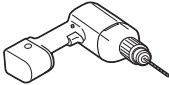
TOOLS REQUIRED



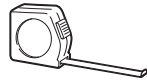
Hand Saw



Safety Glasses



Drill and
1/16" Bit



Measuring Tape



Phillips Screwdriver



Level



Cut Resistant Gloves

MATERIALS REQUIRED

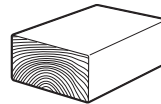
(provided)



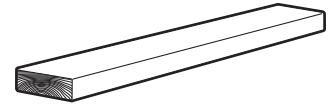
4 Wood Screws

MATERIALS REQUIRED

(not provided)



2x2 or 2x4
Wood Block
for Anti-Tip
Security



2x2 or 2x4
Lumber for
Runners



Adhesive or other hardware
for installing runners or shelf to
support warmer drawer

Runners must be level, rigidly mounted and capable of supporting 150 pounds.

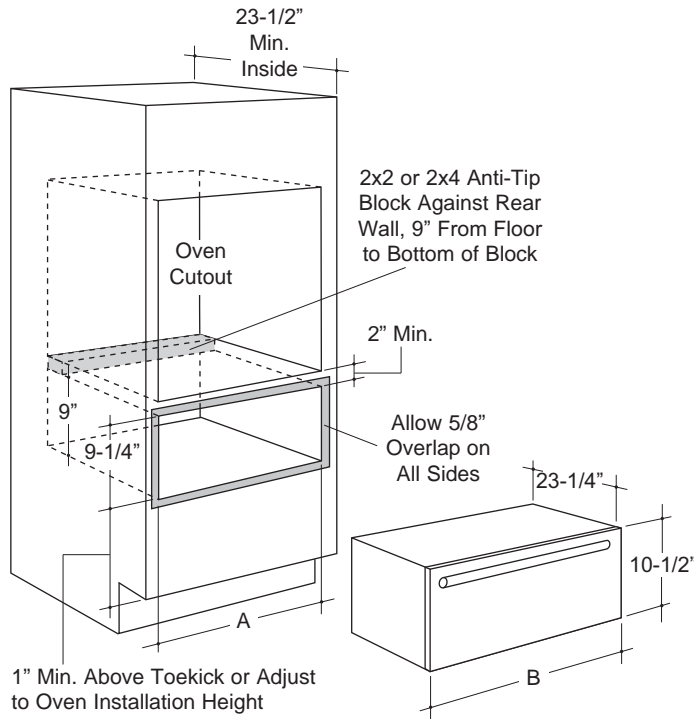
REMOVE PACKAGING

Place Warming Drawer on carton or protective pad to prevent damage to drawer front or finished flooring.

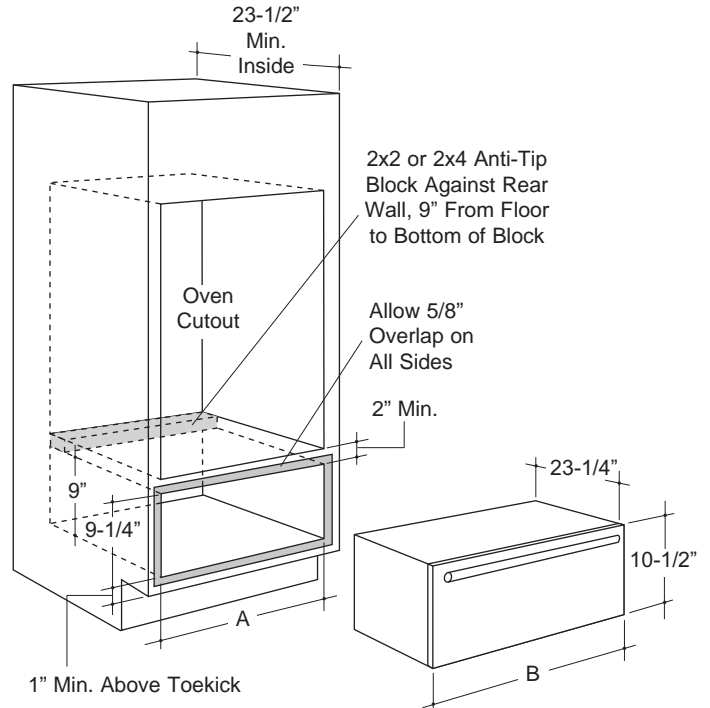
Installation Preparation

INSTALLATION OPTIONS

Installation Below a Single Oven



Installation Below a Double Oven



Models	Dimensions	
	A	B
ZTW900S & ZTW900P	28-1/2"	29-3/4"
ZKW700S & ZKW700P	25-1/2"	26-3/4"

When installed under a wall oven:

Warming drawers are approved for installation below only certain specified wall oven models. See the label attached to the top of the warming drawer for approved models.

- When installed, the front face of the drawer will be nearly flush with adjacent cabinetry doors.
- Drawer overlaps will conceal cut edges on all sides of the opening.

NOTE: Additional clearance between cutouts may be required. Check to be sure that oven supports above the Warming Drawer location does not obstruct the required interior 23-1/2" depth and 9-1/4" height.

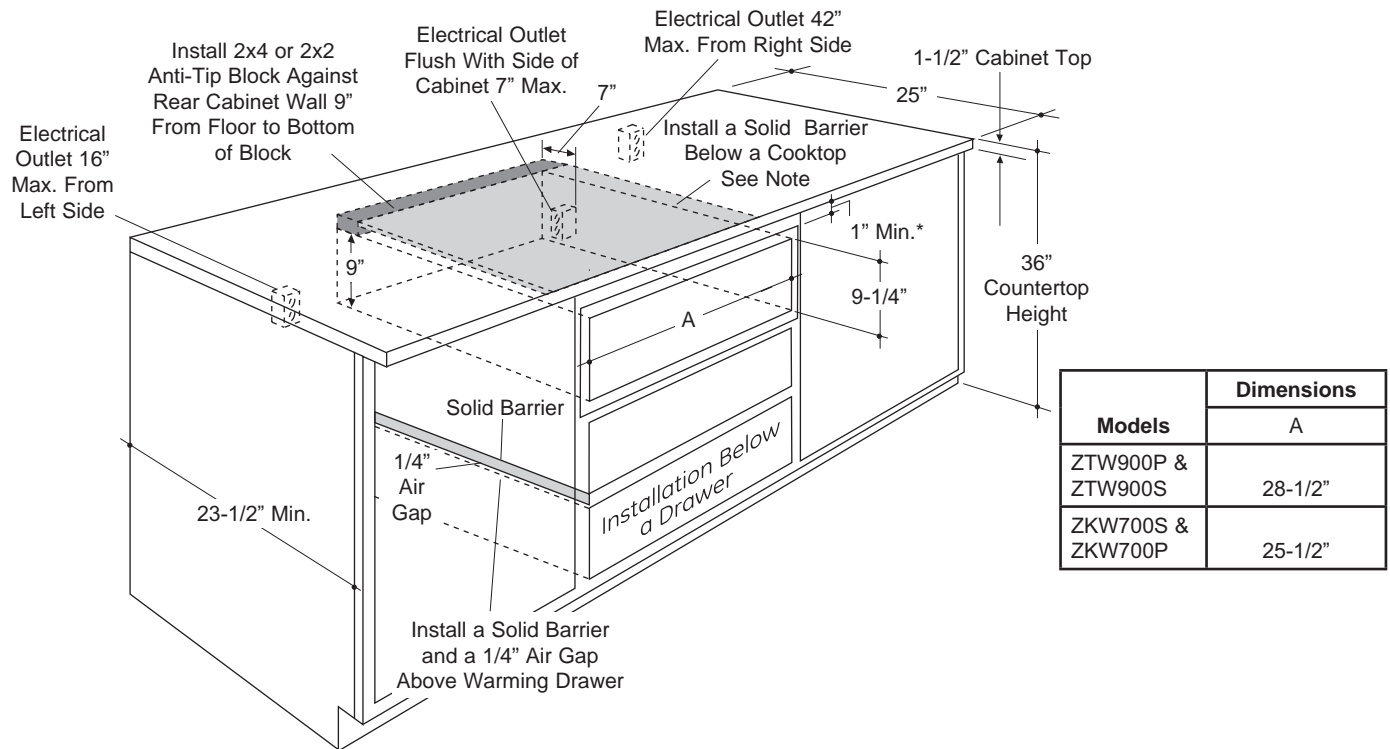
The rough opening for the drawer must be:

- Depth: 23-1/2" min. from inside back to front of cabinet frame.
- Width: 25-1/2" for 27" wide models, 28-1/2" for 30" wide models.
- Height: 9-1/4".
- Allow 2" min. between oven and drawer cutouts for clearance of overlaps.

NOTE: If you are installing in frameless cabinets, it may be necessary to install 1/2" wide cleats to accept drawer mounting screws. See drawer for mounting screw locations.

Installation Preparation

INSTALLATION BELOW A COUNTERTOP



- When installed, the front face of the drawer will be nearly flush with adjacent cabinetry doors.
- Drawer overlaps will conceal cut edges on all sides of the opening.
- The rough opening for the drawer must be:
 - Depth: 23-1/2" min. from inside back to front of cabinet frame.
 - Width: 25-1/2" for 27" wide models, 28-1/2" for 30" wide models.
 - Height: 9-1/4".
- 5" min. above floor or 1" above toekick. 23-1/4" from floor to bottom of cutout is recommended for under countertop installation.

Installation below a cooktop:

Warming drawers are approved for installation below only certain specified cooktop models. See the label attached to the top of the warming drawer for approved models. A solid barrier and air gap between cooktop and warming drawer is required. See NOTE above.

***NOTE:** When installing the warming drawer below a cooktop, a solid barrier must be installed at least 1" from the lowest point of the bottom of cooktop burner box to the top of cutout. Use any solid material such as 1/4" thick plywood. Allow at least 1/4" air gap between the barrier and the top of the warming drawer. See label on top of the warming drawer for approved cooktop models.

Installation below a cabinet drawer:

The warming drawer may be installed beneath a cabinet drawer. In this installation, a solid barrier should be installed above the warming drawer to block access. Use any solid material such as 1/4" thick plywood. Allow at least 1/4" air gap between the barrier and the top of the warming drawer. Observe the 5" min. above the floor or 1" above the toekick minimum installation height.

NOTE: If you are installing in frameless cabinets, it may be necessary to install 1/2" wide cleats to accept drawer mounting screws. See drawer to find exact locations of mounting screws.

Side to Side Installation:

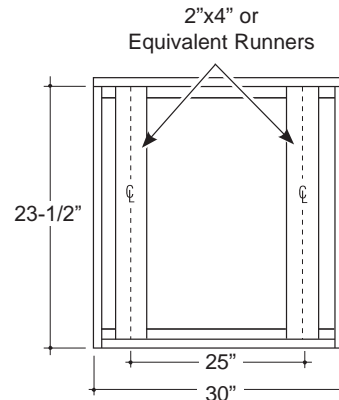
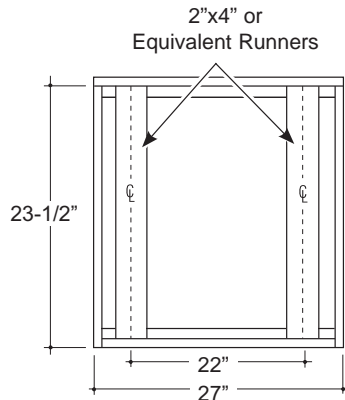
Install two warming drawers in separate cutouts. Allow 2" min. between cutouts.



Side to Side Installation

Installation Preparation

PROVIDE CABINET SUPPORT



IMPORTANT: When installed below a single or double oven, check to be sure that any oven supports above the cutout do not obstruct the 23-1/2" required depth of the warming drawer cutout.

- A 2" min. clearance between oven and warming drawer cutouts are required. Additional clearance may be required if 2 x 4 blocks are used to support runners or solid floor of the oven above.

- The warmer drawer may be supported by either a solid bottom, 2 x 4 or 2 x 2 runners.
- The support must be level and rigidly mounted, flush with the bottom edge of the cutout.
 - There is no way to level the drawer once it has been installed. Be sure supports are level.
- The entire weight of the drawer is supported by the runners or solid floor and must be capable of supporting 150 lbs.

FLUSHMOUNT INSTALLATION PREPARATION

PREPARE THE INTERIOR

Cut and install side cleats:

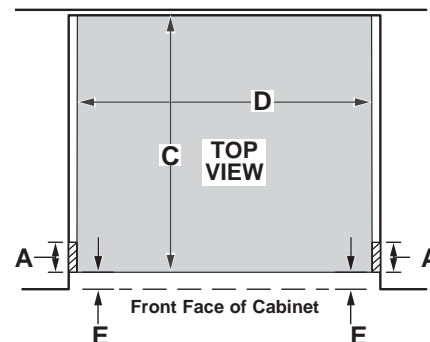
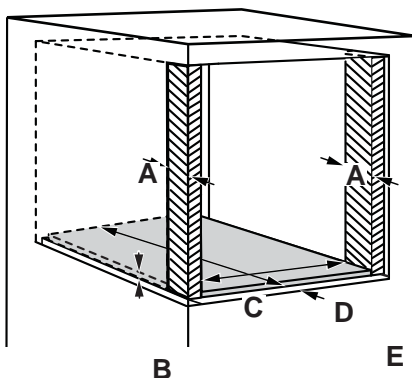
- Cut side wood cleats to height of cabinet opening and approx. 2-1/2" in depth. Install, on each side, E from the front face of the cabinet.

Cut and install bottom cleat:

- Cut bottom wood cleat to a height of 1" minimum, a depth of the cabinet minus E and a width of the cabinet opening D.

Install onto the cabinet floor between the side cleats, push it all the way back against cabinet wall and make sure its front face aligns with the front faces of the side cleats (E gap from the front cabinet face).

		30"	27"
A	Side cleats depth	2-1/2" min.	2-1/2" min.
B	Bottom cleat height	1" min.	1" min.
C	Bottom cleat depth	Cabinet depth minus E	Cabinet depth minus E
D	Bottom cleat width	28 1/2" min. – 29" max. (30" minus 2 side cleat thicknesses of 5/8-3/4" each)	25 1/2" min. – 26" max. (27" minus 2 side cleat thicknesses of 5/8-3/4" each)
E	All three cleats inset from cabinet front	1-3/8"	1-3/8"

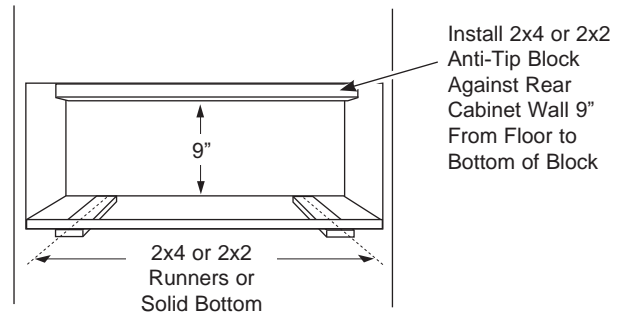


Installation Preparation

INSTALL ANTI-TIP BRACKETS

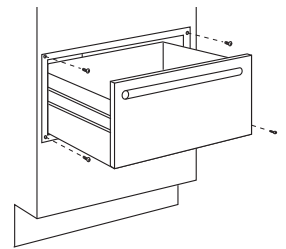
⚠ WARNING ANTI-TIP PRECAUTIONS

An anti-tip brace must be installed to prevent the drawer from tipping forward when opened and loaded. Failure to do so could result in personal injury.



INSTALL WARMING DRAWER

- Slide the left corner of the drawer into the opening.
- Push the power cord into the hole leading to the outlet location. Thread the cord through as the drawer is being pushed back into the opening. Check to be sure the power cord does not get trapped under the drawer.
 - If the outlet is installed inside the opening, plug the cord into the outlet. In this location, the excess power cord length should be coiled and taped to the right side of the unit.
- Push the drawer back until the front flange is flush to the cabinet front.
- Open the drawer fully.
- Drill pilot holes through the holes in the overlapping frame, one on each corner.
- Drive the wood screws provided into each corner.



Installation Instructions

WARMING DRAWER CUSTOM PANEL ACCESSORY KIT ZXW900

For installation of 30" wide warming
drawer custom panel and custom handle.

BEFORE YOU BEGIN

Read these instructions completely and carefully.

- **IMPORTANT** – Save these instructions for local inspector's use.
- **IMPORTANT** – Observe all governing codes and ordinances.
- **Note to Installer** – Be sure to leave these instructions with the consumer.
- **Note to Consumer** – Keep these instructions for future reference.
- **Skill level** – Installation of this custom panel kit requires a qualified installer or service technician.
- Proper installation is the responsibility of the installer.
- Product failure due to improper installation is NOT covered under the warranty.

TOOL AND MATERIALS REQUIRED

- Safety glasses
- Cut resistant gloves
- Phillips screwdriver
- Drill and appropriate bits (Brad point recommended for drilling through wood panels)
- Custom panel
- Custom handle (optional)
- Adhesive recommended for metal to wood
- Adhesive recommended for plastic to wood

PARTS SUPPLIED

- Lamp Jewel
- Metal mounting panel
- Bag of #6 size screws

This kit contains a mounting panel to support a trimless custom drawer front up to 3/4" thick. The tubular handle can be reinstalled onto the custom panel with longer screws (not provided). Or, the original handle can be replaced with a custom handle of your choice. (Handle is not supplied.) Choose a custom handle to match or complement cabinetry hardware.

IMPORTANT: The warming drawer should be installed according to the installation instructions packed with the product. The original drawer front will be removed and replaced with a custom panel.

- Cut edges of the drawer panel will be seen and must be finished for best appearance.

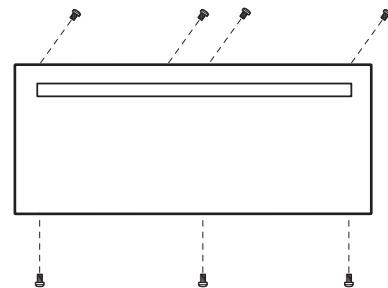
- The custom drawer front panel, both raised and flat design, should be constructed in the same manner as typical cabinet doors.
- Order the custom drawer panel from the cabinet manufacturer. Be sure to provide the exact dimensions so that the panel is constructed accurately.
- Order the optional custom handle to complement or match surrounding cabinetry handles.

1 PREPARE DRAWER FOR PANEL INSTALLATION

- Open the drawer fully.
- Turn the warming drawer off.

2 REMOVE ORIGINAL DRAWER FRONT

- Remove seven #8 screws. Remove four from top inside and three from bottom. Set these screws aside – they are no longer needed.
- Support the drawer front as you remove screws to prevent the possibility of falling.



3 PREPARE CUSTOM PANEL

- The custom panel size is determined by the cabinetry dimensions and spacings.
- Once the custom panel size is determined, place the metal panel on the custom panel and check the squareness and correct placement of the metal panel, and mark the hole for the indicator light. Confirm that the hole marking provides the indicator light to the right side of the custom panel appearance side.
- Drill a 5/16" hole. A Brad point drill bit is recommended.

Installation

4 SECURE CUSTOM PANEL TO METAL MOUNTING PANEL

- Lay the custom panel, appearance side down, on a clean surface.
- Remove all tape and packing material from the metal panel.
- Place the flat side of the metal panel onto the back side of the custom panel, with the mounting flanges facing up.
- Align the lamp hole in the panel with the mounting panel.
- Confirm squareness and correct position of the metal panel to the custom panel.

5A FOR PANELS LESS THAN 3/4" THICK

- Separate the custom panel and metal panel.
- Apply a few horizontal beads of adhesive to the metal panel. Avoid adhesive within 1" of lamp hole area and outer edges.

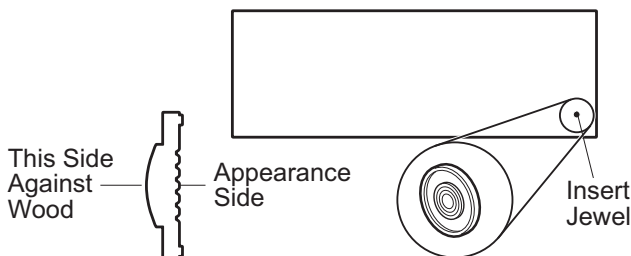
5B FOR 3/4" (OR GREATER) THICK PANELS

- Separate the custom panel and metal panel.
- Use the metal panel as a template. Position the metal panel over the back side of the custom panel and drill pilot holes. Drill pilot holes sized to match screws being used (screws not provided).

NOTE: Select screw length carefully to avoid penetration of the finished side.

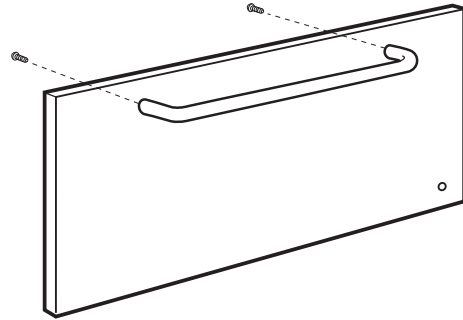
6 INSTALL LAMP JEWEL

- Turn the assembly appearance side up.
- Use plastic to wood adhesive to secure the lamp jewel to the front of the wood panel. On the side with the bulge, (see illustration) apply a small bead of adhesive around the outside edge. Place the jewel into the drilled hole.



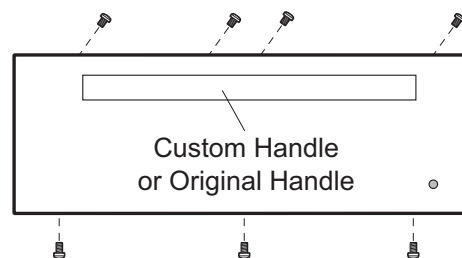
7 REINSTALL ORIGINAL HANDLE OR OPTIONAL CUSTOM HANDLE

- A custom handle (not supplied) may be installed.
 - Drill pilot holes through the front of the custom panel and through the metal panel to match the chosen handle.
- NOTE:** The handle screws should be installed through the metal panel, the custom panel and into the custom or original handle.



8 INSTALL ASSEMBLED PANEL TO THE DRAWER

- Determine which holes in the metal panel line up with the holes in the exposed drawer front and marked the screw hole locations onto the custom panel.
- Drill 1/8" deep holes into the custom panel for clearance to the #6 screws. The #6 screws will extend into the custom panel slightly.
- Using the #6 screws supplied in the bag, install the custom panel assembly to the exposed drawer front with seven screws.
- The original #8 screws are not needed.



NOTE: Product improvement is a continuing endeavor at Monogram Appliances. Therefore, materials, appearance and specifications are subject to change without notice.

Notes

NOTE: While performing installations described in this book, safety glasses or goggles should be worn.

For Monogram® local service in your area, call 1.800.444.1845.

NOTE: Product improvement is a continuing endeavor at GE Appliances. Therefore, materials, appearance and specifications are subject to change without notice.



INSTRUCCIONES DE INSTALACIÓN

Cajón para Calentar Eléctrico
ZKW700S, ZKW700P, ZTW900S y ZTW900P

Información de Seguridad

ANTES DE COMENZAR

Lea estas instrucciones en su totalidad y atentamente.

- **IMPORTANTE** — Conserve estas instrucciones para uso del inspector local.
- **IMPORTANTE** — Cumpla con todos los códigos y ordenanzas gubernamentales.
- **Nota para el Instalador** – Asegúrese de entregarle estas instrucciones al Consumidor.
- **Nota para el Comprador** – Conserve estas instrucciones para referencia futura.
- **Tiempo de instalación** – Aproximadamente entre 1 y 3 horas.
- El instalador tiene la responsabilidad de efectuar una instalación adecuada. Si se producen fallas en el producto debido a una instalación inadecuada, la Garantía no cubrirá las mismas. Para obtener información sobre la garantía, consulte el Manual del Propietario.
- Use este electrodoméstico sólo para su propósito original.
- Consulte a los servicios locales sobre qué códigos eléctricos se aplican en su área. Los códigos locales varían. La instalación, las conexiones eléctricas, y la conexión a tierra deberán cumplir con los códigos aplicables. En ausencia de códigos locales, el cajón se deberá instalar de acuerdo con el Código de Electricidad Nacional ANSI/NFPA 70-1990 o su edición más reciente.

⚠ ADVERTENCIA

- Este electrodoméstico deberá estar correctamente conectado a tierra. Consulte la sección de “Conexión a Tierra del Electrodoméstico”
- Asegúrese de que el cable de corriente no tenga contacto con las superficies calientes de la parte inferior de los hornos, superficies de cocción, u otros electrodomésticos.
- Si el cajón para calentar que recibió está dañado, se deberá comunicar con su vendedor minorista.
- Para acceder al servicio técnico local de Monogram en su área, llame al 1.800.444.1845.
- Para acceder al Servicio Técnico de Monogram en Canadá, llame al 1.800.561.3344.
- Para acceder a Piezas y Accesorios de Monogram, llame al 1.800.626.2002.

MODELOS DISPONIBLES

Modelos de 30”: ZTW900S, ZTW900P

Modelos de 27”: ZKW700S, ZKW700P

⚠ ADVERTENCIA

Se deberá instalar la abrazadera anti volcaduras para evitar que el cajón se voltee hacia adelante cuando se abra y cargue. Si esto no se cumple, se podrán sufrir lesiones personales.

CONTENIDO

Información de Dise	
Modelos Disponibles.....	2
Accesorios.....	2
Dimensiones del Producto	3
Conexión a Tierra del Electrodoméstico.....	3
Preparación de la Instalación	
Herramientas y Materiales Requeridos	4
Retiro del Embalaje	4
Opciones de Instalación	
Instalación Debajo de un Horno Simple	5
Instalación Debajo de un Horno Doble.....	5
Instalación Debajo de la Mesada	6
Brinde el Soporte del Gabinete.....	7
Preparación para la Instalación con Montaje Nivelado	7
Instale los Soportes Anti Volcaduras.....	8
Instale el Cajón para Calentar	8
Instrucciones de instalación : Kit de Accesorios del Panel a Medida del Cajón para Calentar ZXW900...9	
Antes de Comenzar	9
Paso 1, Prepare el Cajón Para la Instalación en el Panel	9
Paso 2, Retire el Frente del Cajón Original	9
Paso 3, Prepare el Panel a Medida	9
Paso 4, Asegure el Panela Medida Sobre el Panel de Montaje Metálico	10
Paso 5A, Para los Paneles con Grosor Inferior a ¾”	10
Paso 5B, Para Paneles Gruesos de ¾” (o más).....	10
Paso 6, Instale la Lámpara	10
Paso 7, Reinstale la Manija Original o la Manija a Medida Opcional	10
Paso 8, Instale el Panel Ensamblado en el Cajón ...	10

ACCESORIOS DEL PANEL FRONTAL

ZXD30B

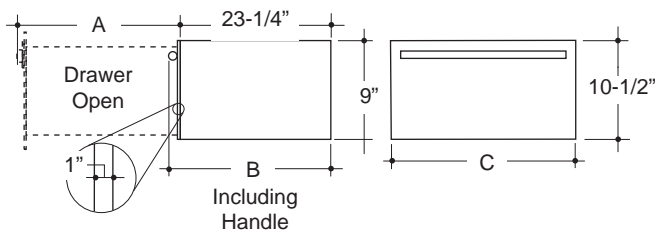
Este kit brinda la instalación de un panel frontal a medida en modelos de 30”.

NOTA: El frente del cajón original se deberá retirar y descartar cuando se use este kit. La manija cilíndrica se podrá volver a instalar en el panel a medida con tornillos más largos (no provistos). O, la manija original se podrá volver a colocar con una manija a medida de su elección. (No se suministra la manija). Elija una manija a medida que coincida o se complemente con el material de los gabinetes.

Para más Accesorios o información de compras, por favor consulte la sección de Asistencia/ Accesorios del Manual del Propietario del Cajón para Calentar de Monogram.

Información de Dise

DIMENSIONES Y ESPACIOS LIBRES DEL PRODUCTO



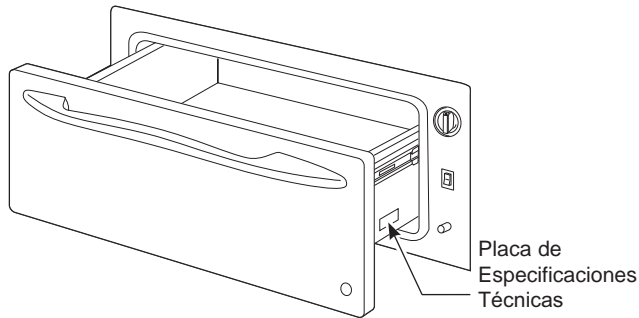
Modelos	Dimensiones		
	A	B	C
ZTW900S y ZTW900P	23-1/4"	26-1/4"	29-3/4"
ZKW700S y ZKW700P	22-26"	26-1/4"	26-3/4"
ZXS900P y ZXW900	Las dimensiones estarán determinadas por el panel y la manija.		29-3/4"

CONEXIÓN A TIERRA DEL ELECTRODOMÉSTICO

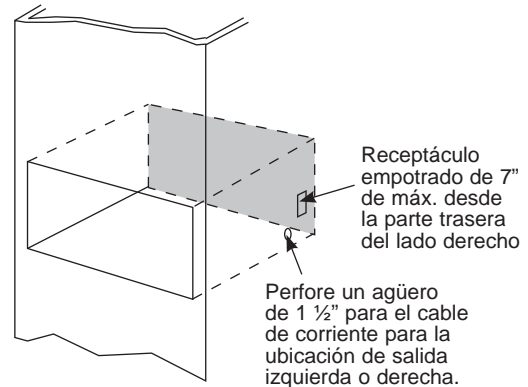
Lea detenidamente

No use prolongadores ni adaptadores con este electrodoméstico. Cumpla con los códigos de electricidad a nivel nacional o con los códigos y ordenanzas locales obligatorios.

Este cajón para calentar deberá ser provisto con 120V, 60Hz, y estar conectado a un circuito de empalmes individual correctamente conectado a tierra, y protegido por un disyuntor o fusible de retardo de 15 o 20 amp.



- Un receptáculo de 3 cables correctamente conectado a tierra deberá estar ubicado dentro del alcance del cable de corriente largo de 56" del cajón.
- Ubique el receptáculo en un gabinete adyacente.
 - dentro de las 42" del lado derecho o,
 - dentro de las 16" del lado izquierdo o,
- Un receptáculo empotrado podrá estar ubicado del lado derecho del espacio libre, a un mínimo de 7" desde la parte trasera del gabinete. En esta ubicación, el cable de corriente excedente deberá estar enroscado y encintado sobre el lado derecho de la unidad.
- Cuando se instalen dos cajones para calentar uno al lado del otro, estos podrán funcionar desde el mismo receptáculo.



Lea detenidamente

El cable de corriente de este electrodoméstico cuenta con un enchufe de 3 cables (con cable a tierra) que se conecta a un tomacorriente de pared estándar de 3 cables con conexión a tierra para minimizar la posibilidad de descargas eléctricas. El cliente deberá contratar a un electricista calificado para que controle el receptáculo de pared y el circuito, a fin de asegurar que el receptáculo esté correctamente conectado a tierra y que posea la polaridad adecuada.

- En caso de contar con un tomacorriente de pared de 2 cables, es la responsabilidad y obligación del cliente reemplazarlo por un receptáculo de pared de 3 cables correctamente conectado a tierra.

Nunca, bajo ninguna circunstancia, corte o elimine el tercer cable (tierra) del cable de corriente.

NO USE PROLONGADORES NI ENCHUFES ADAPTADORES CON ESTE ELECTRODOMÉSTICO.

CUMPLA CON LOS CÓDIGOS Y ORDENANZAS NACIONALES DE ELECTRICIDAD.

Preparación de la Instalación

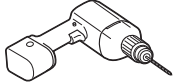
HERRAMIENTAS REQUERIDAS



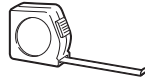
Sierra Manual



Gafas de Seguridad



Taladro y broca de 1/16"



Cinta de Medición



Destornillador Phillips



Nivel



Guantes Resistentes a Cortes

MATERIALES REQUERIDAS

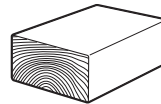
(provistos)



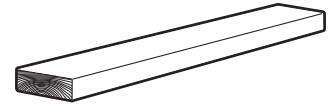
4 Tornillos de Madera

MATERIALES REQUERIDAS

(no provistos)



Bloque de Madera como Seguridad Anti Volcaduras de 2x2 o 2x4



Madera para tirantes y abrazaderas de 2 x 4 o 2 x 2



Adhesivos u otros materiales para la instalación de tirantes o una repisa para sostener el cajón para calentar.

Los tirantes deberán estar nivelados, montados de forma rígida y deberán poder soportar 150 libras.

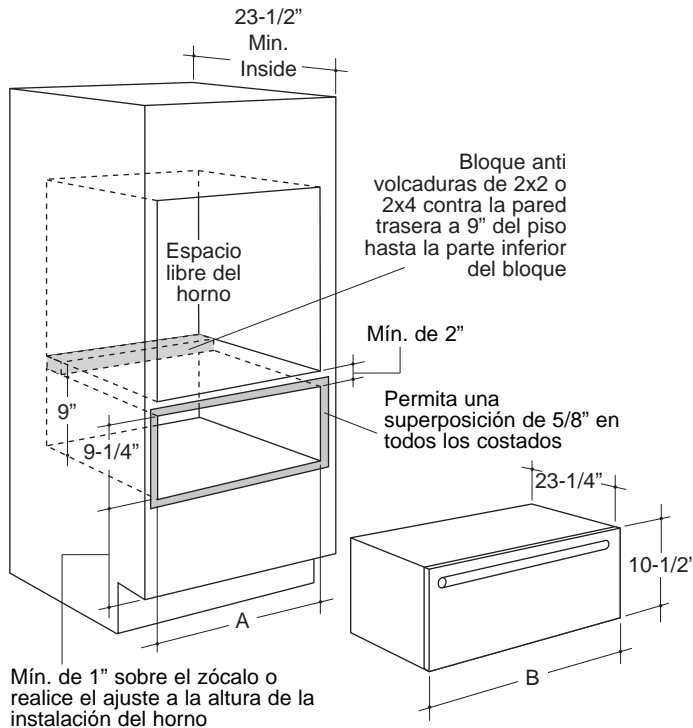
RETIRO DEL EMBALAJE

Coloque el Cajón para Calentar en el cartón o sobre la almohadilla protectora, a fin de evitar daños sobre el frente del cajón o el acabado del piso.

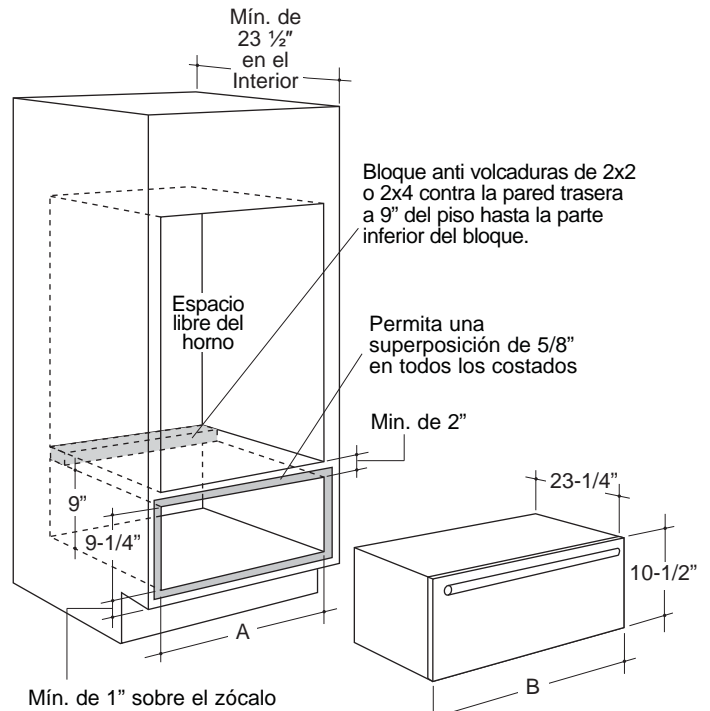
Preparación de la Instalación

OPCIONES DE INSTALACIÓN

Instalación Debajo de un Horno Simple



Instalación Debajo de un Horno Doble



Modelos	Dimensiones	
	A	B
ZTW900S & ZTW900P	28-1/2"	29-3/4"
ZKW700S & ZKW700P	25-1/2"	26-3/4"

Cuando se instale debajo de un horno de pared:

Los cajones para calentar se adaptan a instalaciones debajo de ciertos modelos de horno de pared específicos únicamente. Consulte la etiqueta adjunta a la parte superior del cajón para calentar para conocer los modelos que se adaptan.

- Una vez instalado, la cara frontal del cajón estará casi nivelada con las puertas de los gabinetes adyacentes.
- Las superposiciones de los cajones esconderán los extremos puntiagudos en todos los lados de la abertura.

NOTA: Se podrán requerir aberturas adicionales entre los espacios libres. Asegúrese de que los soportes del horno que están por encima de la ubicación del Cajón para Calentar no obstruyan la profundidad interior de 23 1/2" y la altura de 9 1/4" requeridas.

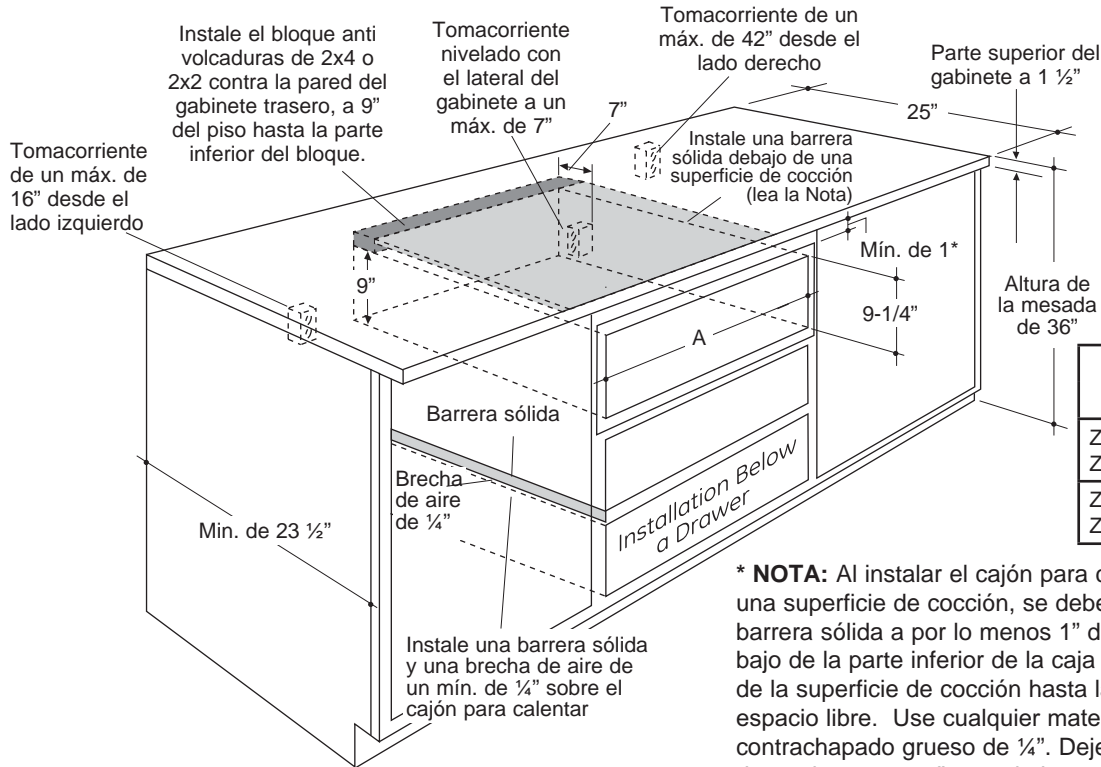
La apertura aproximada del cajón deberá ser de:

- Profundidad: Mínimo de 23 1/2" desde la parte interior trasera hasta el frente del marco del gabinete.
- Ancho: 25 1/2" para modelos de 27" de ancho, 28 1/2" para modelos de 30" de ancho.
- Altura: 9 1/4".
- Deje un mínimo de 2" entre el horno y los espacios libres del cajón para los espacios de las superposiciones.

NOTA: Si realizará la instalación en gabinetes sin marco, será necesario instalar ristreles anchos de 1/2" que acepten los tornillos de montaje del cajón. Observe el cajón para encontrar las ubicaciones exactas de los tornillos de montaje.

Preparación de la Instalación

INSTALACIÓN DEBAJO DE LA MESADA



Modelos	Dimensiones
	A
ZTW900P & ZTW900S	28-1/2"
ZKW700S & ZKW700P	25-1/2"

*** NOTA:** Al instalar el cajón para calentar debajo de una superficie de cocción, se deberá instalar una barrera sólida a por lo menos 1" desde el punto más bajo de la parte inferior de la caja de los quemadores de la superficie de cocción hasta la parte superior del espacio libre. Use cualquier material sólido tal como un contrachapado grueso de 1/4". Deje una brecha de aire de por lo menos 1/4" entre la barrera y la parte superior del cajón para calentar. Consulte la etiqueta en la parte superior del cajón para calentar para conocer los modelos de superficies de cocción aprobados.

- Una vez instalado, la cara frontal del cajón estará casi nivelada con las puertas de los gabinetes adyacentes.
- Las superposiciones de los cajones esconderán los extremos puntiagudos en todos los lados de la abertura.
- La apertura aproximada del cajón deberá ser de:
 - Profundidad: Mínimo de 23 1/2" desde la parte interior trasera hasta el frente del marco del gabinete.
 - Ancho: 25 1/2" para modelos de 27" de ancho, 28 1/2" para modelos de 30" de ancho.
 - Alto: 9-1/4".
- Mínimo de 5" sobre el piso o zócalo sobre 1". Se recomiendan 23 1/4" desde el piso hasta la parte inferior del espacio libre para la instalación en bajo mesadas.

Instalación debajo de una superficie de cocción:

Los cajones para calentar se adaptan a instalaciones sólo debajo de ciertas modelos de superficies de cocción especificados. Consulte la etiqueta adjunta a la parte superior del cajón para calentar a fin de conocer los modelos que se adaptan. Se requiere una barrera sólida y una brecha de aire entre la superficie de cocción y el cajón para calentar. Lea la Nota que aparece más arriba.

Instalación debajo del cajón de un gabinete:

El cajón para calentar se podrá instalar debajo del cajón de un gabinete. En esta instalación, se deberá instalar una barrera sólida sobre el cajón para calentar a fin de bloquear el acceso. Use cualquier material sólido tal como un contrachapado grueso de 1/4". Deje una brecha de aire de por lo menos 1/4" entre la barrera y la parte superior del cajón para calentar. Respete el mín. de 5" sobre el piso o 1" sobre la altura mín. de instalación del zócalo.

NOTA: Si realizará la instalación en gabinetes sin marco, será necesario instalar ristreles anchos de 1/2" que acepten los tornillos de montaje del cajón. Observe el cajón para encontrar las ubicaciones exactas de los tornillos de montaje.

Instalación Lado a Lado:

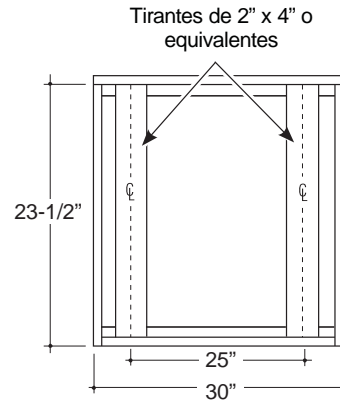
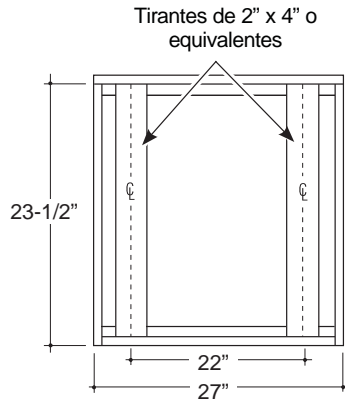
Instale dos cajones para calentar en espacios libres separados. Deje un mínimo de 2" entre los espacios libres.



Instalación Lado a Lado

Preparación de la Instalación

BRINDE EL SOPORTE DEL GABINETE



IMPORTANTE: Cuando se instalen debajo de un horno simple o doble, asegúrese de que cualquier soporte del horno que se encuentre por encima del espacio libre no obstruya la profundidad requerida de 23 1/2" del espacio libre del cajón para calentar.

- Se requiere un espacio libre mínimo de 2" entre el horno y el cajón para calentar. Se podrá requerir espacio adicional si se usan bloques de 2 x 4 para sostener los tirantes o el piso sólido del horno que está encima.

- El cajón para calentar podrá estar apoyado por tirantes inferiores sólidos de 2 x 4 o 2 x 2.
- El soporte deberá estar nivelado y montado de forma rígida, a nivel con el extremo inferior del espacio libre.
 - No hay forma de nivelar el cajón una vez que fue instalado. Asegúrese de que los soportes estén nivelados
- Todo el peso del cajón está apoyado sobre los tirantes o el piso sólido y deberán poder soportar 150 libras.

PREPARACIÓN PARA LA INSTALACIÓN CON MONTAJE NIVELADO

PREPARE EL INTERIOR

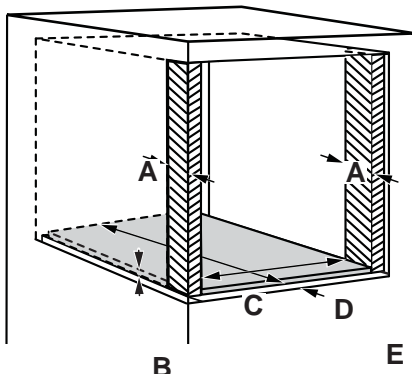
Corte e instale los ristreles laterales:

- Corte ristreles de madera laterales hasta la altura de la abertura del gabinete, de aproximadamente 2-1/2" de profundidad. Instale, sobre cada lado, E desde la cara frontal del gabinete.

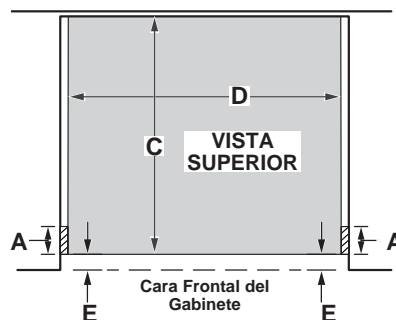
Corte e instale los ristreles inferiores:

- Corte el ristreles inferior de madera hasta una altura mínima de 1", de la profundidad del gabinete menos E y del ancho de la abertura del gabinete D.

Realice la instalación sobre el piso del gabinete entre los dos ristreles laterales, empuje completamente hacia atrás contra la pared del gabinete y asegúrese de que su cara frontal se alinee con las caras frontales de los ristreles laterales (brecha de E desde la cara del gabinete frontal).



		30"	27"
A	Profundidad de los ristreles laterales	2-1/2" min.	2-1/2" min.
B	Altura del ristreles inferior	1-1/8"	1-1/8"
C	Profundidad del ristreles inferior	Profundidad del gabinete menos E	Profundidad del gabinete menos E
D	Ancho del ristreles inferior	Mín. de 28 1/2" – máx. de 29" (30" menos el grosor del ristreles a ambos lados de 5/8" - 3/4" cada uno)	Mín. de 25 1/2" – máx. de 26" (27" menos el grosor del ristreles a ambos lados de 5/8" - 3/4" cada uno)
E	Inserción de los tres ristreles desde el frente del gabinete	1-3/8"	1-3/8"



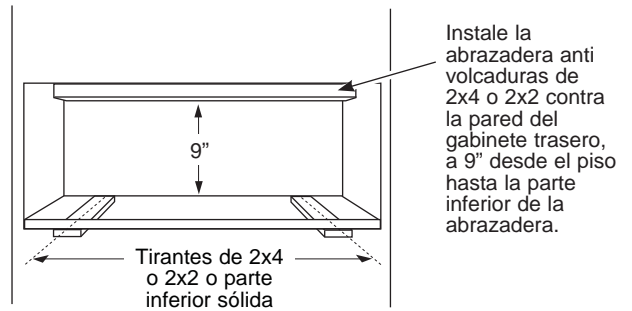
Preparación de la Instalación

INSTALE LOS SOPORTES ANTI VOLCADURAS

⚠ ADVERTENCIA PRECAUCIONES ANTI

VOLCADURAS:

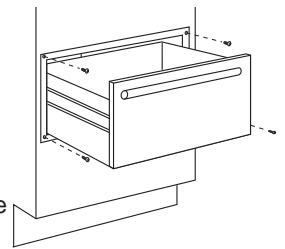
Se deberá instalar la abrazadera anti volcaduras para evitar que el cajón se vuelque hacia adelante cuando se abra y cargue. Si esto no se cumple, se podrán sufrir lesiones personales.



INSTALE EL CAJÓN PARA CALENTAR

- Deslice la esquina izquierda del cajón sobre la abertura.
- Empuje el cable de corriente sobre el agujero que conduce hasta la ubicación exterior. Pase el cable mientras se está empujando el cajón hacia atrás dentro de la abertura. Realice un control para asegurarse de que el cable de corriente no haya quedado atrapado debajo del cajón.
 - Si se instala la salida dentro de la abertura, enchufe el cable en el tomacorriente. En esta ubicación, el cable de corriente excedente deberá estar enroscado y encintado sobre el lado derecho de la unidad.

- Empuje el cajón hacia atrás hasta que la brida esté nivelada con el frente del gabinete.
- Abra el cajón completamente.
- Perfore agujeros piloto a través de los agujeros de la estructura que se superpone, uno en cada esquina.
- Coloque los tornillos de madera provistos en cada esquina.



Instrucciones de instalación

KIT DE ACCESORIOS DEL PANEL A MEDIDA DEL CAJÓN PARA CALENTAR ZXW900

Para la instalación del panel a medida del cajón para calentar de 30" de ancho y de la manija a medida.

ANTES DE COMENZAR

Lea estas instrucciones en su totalidad y atentamente.

- **IMPORTANTE** – Conserve estas instrucciones para uso del inspector local.
- **IMPORTANTE** – Cumpla con todos los códigos y ordenanzas gubernamentales.
- **Nota para el Instalador** – Asegúrese de entregarle estas instrucciones al Consumidor.
- **Nota para el Comprador** – Guarde estas instrucciones para referencia futura.
- **Nivel de habilidad** – Es necesario contar con un instalador calificado o con un técnico del servicio para realizar la instalación de este kit del panel a medida.
- La correcta instalación del producto es responsabilidad del instalador.
- Si se producen fallas en el producto debido a una instalación inadecuada, la Garantía no cubrirá las mismas.

HERRAMIENTAS Y MATERIALES NECESARIOS

- Gafas de seguridad
- Guantes resistentes a cortes
- Destornillador phillips
- Taladro y brocas apropiadas (se recomienda el uso de una punta perforadora sobre los paneles de madera)
- Panel a medida
- Manija a medida (opcional)
- Adhesivo recomendado para metal sobre madera
- Adhesivo recomendado para plástico sobre madera

PIEZAS PROVISTAS

- Lámpara
- Panel de montaje metálico
- Bolsa de tornillos de tamaño n° 6

Este kit cuenta con un panel de montaje para sostener un cajón a medida sin molduras con frente de hasta 3/4" de grosor. La manija cilíndrica se podrá volver a instalar en el panel a medida con tornillos más largos (no provistos). O, la manija original se podrá volver a colocar con una manija a medida de su elección. (No se suministra la manija). Elija una manija a medida que coincida o se complemente con el material de los gabinetes.

IMPORTANTE: El cajón para calentar se deberá instalar de acuerdo con las instrucciones de instalación enviadas con el producto. El frente del cajón original se deberá retirar y reemplazar por un panel a medida.

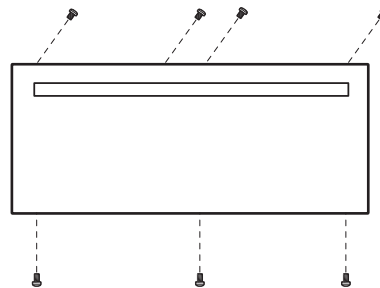
- Los extremos recortados del panel del cajón serán visibles y se les deberá dar el acabado para un mejor aspecto.
- El panel frontal del cajón a medida, tanto el de diseño elevado como el plano, se deberán construir del mismo modo que las puertas para gabinetes típicas.
- Ordene el panel del cajón a medida al fabricante de gabinetes. Asegúrese de brindar las dimensiones exactas, de modo que el panel sea construido de forma precisa.
- Ordene la manija a medida opcional para complementar o coincidir con las manijas de los gabinetes circundantes.

1 PREPARE EL CAJÓN PARA LA INSTALACIÓN EN EL PANEL

- Abra el cajón completamente.
- Apague el cajón para calentar.

2 RETIRE EL FRENTE DEL CAJÓN ORIGINAL

- Retire los siete tornillos n° 8. Retire los cuatro de la parte superior en el interior y los tres de la parte inferior. Deje estos tornillos a un costado – estos ya no son necesarios.
- Sostenga el frente del cajón a medida que retira los tornillos, a fin de evitar la posibilidad de caídas.



3 PREPARE EL PANEL A MEDIDA

- El tamaño del panel a medida está determinado por las dimensiones y espacios entre los gabinetes.
- Una vez determinado el panel a medida, coloque el panel metálico sobre el panel a medida y controle que esté bien cuadrado y correctamente colocado, y marque el agujero para la luz indicadora. Confirme que la marca del agujero ubique la luz indicadora sobre el lado derecho de la cara visible del panel a medida.
- Perfore un agujero de 5/16". Se recomienda el uso de una broca con punta perforadora.

Instalación

4 ASEGURE EL PANEL A MEDIDA SOBRE EL PANEL DE MONTAJE METÁLICO

- Apoye el panel a medida, con el lado visible hacia abajo, sobre una superficie despejada.
- Retire toda la cinta y el material de embalaje del panel metálico.
- Coloque el lado plano del panel metálico sobre el lado trasero del panel a medida, con las lengüetas de montaje mirando hacia arriba.
- Alinee el agujero de la lámpara del panel con el panel de montaje.
- Confirme que el panel metálico esté bien cuadrado y en la posición correcta en relación con el panel a medida.

5A PARA LOS PANELES CON GROSOR INFERIOR A 3/4"

- Separe el panel a medida del panel metálico.
- Aplique algunas gotas horizontales de adhesivo sobre el panel metálico. Evite el adhesivo en el espacio de 1" entre el área de la lámpara y los extremos exteriores.

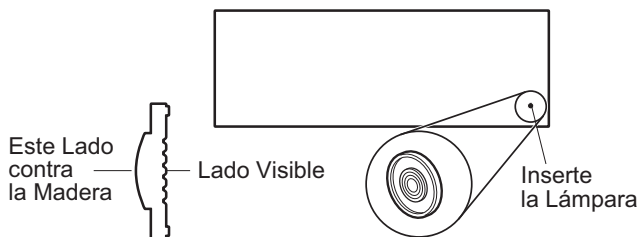
5B PARA PANELES GRUESOS DE 3/4" (O MÁS)

- Separe el panel a medida del panel metálico.
- Use el panel metálico como plantilla. Posicione el panel metálico sobre el lado trasero del panel a medida y perforo agujeros piloto. Perfore agujeros piloto del tamaño que coincida con los tornillos que se usarán (los tornillos no son provistos).

NOTA: Seleccione la longitud de los tornillos con cuidado, a fin de evitar su penetración sobre el lado del acabado.

6 INSTALE LA LÁMPARA

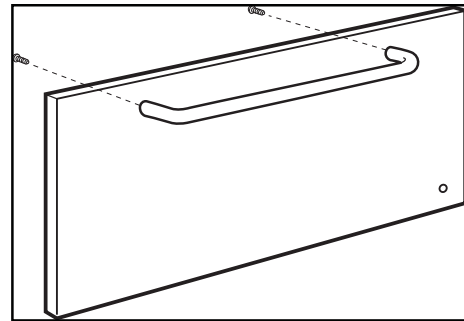
- Gire el lado visible del ensamblaje hacia arriba.
- Use adhesivo de plástico a madera para asegurar la lámpara sobre el frente del panel de madera. Sobre el lateral con la protuberancia (vea la ilustración), aplique una pequeña gota de adhesivo alrededor del extremo exterior. Coloque la lámpara en el agujero perforado.



7 REINSTALE LA MANIJA ORIGINAL O LA MANIJA A MEDIDA OPCIONAL

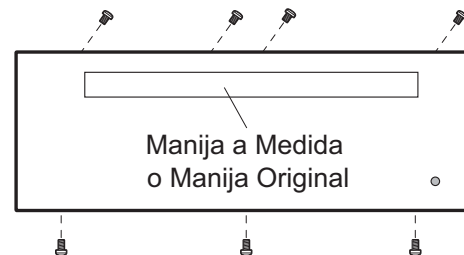
- Se podrá instalar una manija a medida (no suministrada).
- Perfore agujeros piloto a través del frente del panel a medida y a través del panel metálico que coincidan con la manija elegida.

NOTA: Los tornillos de la manija se deberán instalar a través del panel metálico, del panel a medida y en la manija a medida u original.



8 INSTALE EL PANEL ENSAMBLADO EN EL CAJÓN

- Determine qué agujeros del panel metálico se alinean con los agujeros del frente del cajón expuesto y marque las ubicaciones de los agujeros de los tornillos sobre el panel a medida.
- Perfore agujeros de 1/8" de profundidad sobre el panel a medida para contar con el espacio para los tornillos n° 6. Los tornillos n° 6 se extenderán levemente sobre el panel a medida.
- Usando los tornillos n° 6 suministrados en la bolsa, instale el ensamblaje del panel a medida sobre el frente del cajón expuesto con siete tornillos.
- Los tornillos n° 8 originales no son necesarios.



NOTA: Monogram Appliances se esfuerza de forma constante para mejorar sus productos. Por lo tanto, los materiales, el aspecto y las especificaciones están sujetos a cambios sin aviso previo.

Notas

NOTA: Al realizar las instalaciones descritas en este libro, se deberán usar anteojos o gafas de seguridad.

Para servicio técnico local Monogram® en su área, visite nuestro sitio web en **monogram.com**.

NOTA: Monogram Appliances se esfuerza de forma constante para mejorar sus productos. Por lo tanto, los materiales, el aspecto y las especificaciones están sujetos a cambios sin aviso previo