



KEELER

BRASS COMPANY | EST. 1893

DESIGNER COLLECTION

Installation Instructions

CUSTOMER SUPPORT →



BEFORE YOU BEGIN

- The handle on your appliance may have a different orientation than what is shown, but the installation will be the same.
- Be extra careful of the appliance finish around the handle area, as it can scratch. During removal of the handle screws, hold onto the handle tightly so it won't fall and scratch the appliance. We recommend having another person help you hold the handle in place as you remove the screws.
- When the handle has been removed, check the fasteners that are attached to the appliance front to see if they are loose. If so, tighten them with a 3/16" Allen wrench before attaching the new handle. **Note: Fastener shape may vary by appliance.**
- For appliances with multiple handles, look at your current configuration before removing the handles, and make sure the replacement handles match the set screw position.

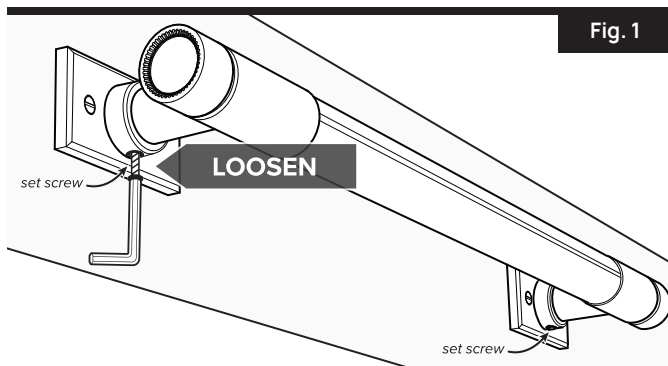


Fig. 1

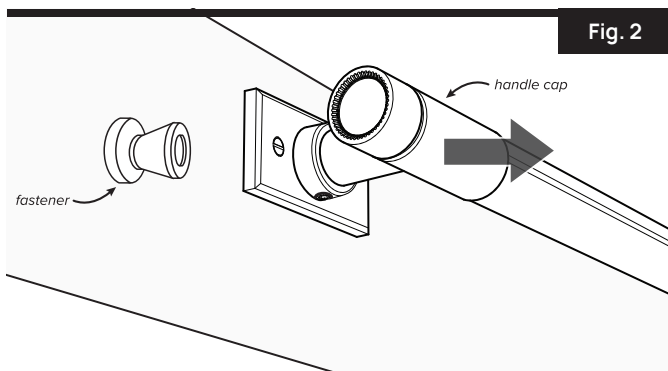


Fig. 2

TOOLS NEEDED



1/8" Allen Wrench
(Included)



3/16" Allen Wrench
(Not Included)

INSTALLATION STEPS

I. REMOVING THE HANDLE

1. Locate the set screws on the handle caps (they are usually on the less visible side).
2. Loosen the set screw on one end with the 1/8" Allen wrench while supporting the handle. Do not remove the set screw from the handle cap.
3. Keep supporting the handle while you loosen the set screw on the other handle cap. Lift the handle from the fasteners on the door and set aside.

II. REPLACING A NEW HANDLE

1. Make sure the set screws are loosened. Place the handle over the fasteners of the door (we recommend putting the screw side of the handle toward the less visible side). Take care to support the handle so it doesn't fall and scratch the appliance finish. Make sure both the handle caps are resting on the face of the door.
2. Lock one end of the handle into position by tightening the set screw in the handle cap with the 1/8" Allen wrench. Be sure not to over tighten.
3. Keep supporting the handle as you lock the other end of the handle into position by tightening the set screw in the handle cap with the 1/8" Allen wrench. Be sure not to over tighten.

Repeat these instructions on all other handles.

DESIGNER COLLECTION

Product Care

CUSTOMER SUPPORT →



i CARE OVERVIEW

The **Designer Collection** Decorative Appliance hardware by **Keeler Brass Company** in collaboration with **Monogram Appliances** should be treated with care. Finishes age differently depending on local climates and exposure conditions. Individual handling, cleaning and waxing routines will also affect the aging process.

For hardware maintenance, follow our **General Cleaning Guidelines** along with a semiannual wax routine for the **Designer Collection Brass Handle Kit** only. Following the General Cleaning Guidelines without waxing will allow the Designer Collection Brass Handle Kit to patina more evidently.

The Designer Collection Brass Handle Kit is a living material made of raw polished brass that is purposefully left unsealed to allow for natural oxidation to occur. As the metal ages, it darkens, developing distinct patina and character that only true authentic raw brass can provide.

The **Designer Collection Titanium Handle Kit** finish does **NOT** require any wax application as it is already protected by a clear coat.

Note: To maintain the Designer Collection Brass Handle finish, we advise the first wax application should be performed at time of installation. Again, wax is **NOT** necessary for the Designer Collection Titanium handle finish.

Prolonged contact with certain items such as anti-bacterial soap, vinegar, wine, lotion, air fresheners, cologne, toothpaste, shaving cream and nail polish remover will alter all surface finishes and void the Keeler Brass Company warranty.

🔧 GENERAL CLEANING GUIDELINES

Always spot test hardware in a small inconspicuous area **before** proceeding with the entire surface with any new cleaning routine. For daily cleaning, we recommend hardware surfaces are washed gently with a soft and lint-free damp cloth, using a pH neutral liquid soap diluted in water. Rinse and absorb any soap residue completely with water and immediately dry and wipe away any over-spray.

Never use an abrasive material such as a brush or scouring pad to clean the hardware surface. The use of abrasive cleaners, cleansers, disinfectants and tools will alter the surface finish and void the warranty.

i WAXING GUIDELINES

Note: Waxing is only recommended for the Designer Collection Brass handle kit. The Designer Collection Titanium handle kit does **NOT** require a wax application.

Using a high-quality clear carnauba paste wax, massage a small amount of wax onto the metal surface and polish with a clean, soft cloth, avoiding any leather components.

i LEATHER CARE

It is not necessary for the leather on Designer Collection Brass and Titanium handle kits to be cleaned too frequently. Leather will age with use and may darken naturally over time. Do not use cleansers not intended for leather or soaps containing detergent.

Leather can be cleaned and maintained with proper leather cleaner and conditioner that helps preserve the hide's natural oils as opposed to one that strips the natural oils off.

Always test leather cleansers, conditioning lotions and creams in a small inconspicuous or hidden area to ensure that it is compatible with your leather. Avoid getting cleaner and conditioner intended for leather onto metal components.

If a spill or spot should occur on leather, blot immediately with a clean, absorbent cloth or sponge. Do not rub the spot with force or pressure. A drop of saddle soap on a damp cloth may help to remove dirt.

🛠️ CUSTOMER CARE & WARRANTY

We hope you enjoy your purchase. If we can be of further assistance, please contact our customer support team at **1.800.444.1845** or visit our contact page with the QR code below. To download a copy of these instructions or for Warranty information, visit keelerbrasscompany.com/monogram-hardware-care or scan below.



← CUSTOMER SUPPORT

WARRANTY →

